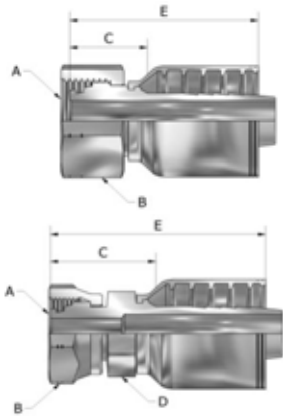


DD206 SERIES(Female Metric Swivel - DIN 20078 Straight O-Ring)

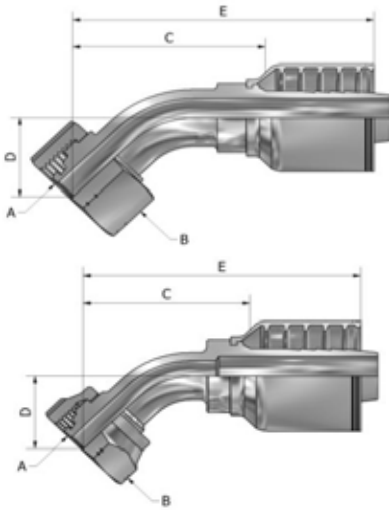
USA



PART NUMBER	Products Description									
	Hose In-Dia	Thread METRIC	Nut Hex		Tail-Growth		Nipple Hex		Overall length	
			MM	Inch	MM	Inch	MM	Inch	MM	Inch
			B		C		D		E	
DD206-12-04O06	1/4	M12*1.5P	15.9	0.62	27.6	1.09	14.0	0.55	47.8	1.88
DD206-14-04O06	1/4	M14*1.5P	17.5	0.69	26.8	1.06	14.0	0.55	47.1	1.85
DD206-14-04O08	1/4	M14*1.5P	17.5	0.69	26.8	1.06	14.0	0.55	47.1	1.85
DD206-16-04O08	1/4	M16*1.5P	19.0	0.75	23.5	0.93			43.8	1.72
DD206-16-04O10	1/4	M16*1.5P	19.0	0.75	23.0	0.91			43.3	1.70
DD206-16-06O08	3/8	M16*1.5P	19.0	0.75	32.4	1.28	17.0	0.67	59.6	2.35
DD206-16-06O10	3/8	M16*1.5P	19.0	0.75	32.4	1.28	19.0	0.75	60.6	2.39
DD206-18-04O10	1/4	M18*1.5P	22.0	0.87	23.5	0.93			43.8	1.72
DD206-18-04O12	1/4	M18*1.5P	22.0	0.87	22.6	0.89			42.9	1.69
DD206-18-06O10	3/8	M18*1.5P	22.0	0.87	34.5	1.36	17.0	0.67	61.7	2.43
DD206-18-06O12	3/8	M18*1.5P	22.0	0.87	34.5	1.36	17.0	0.67	61.7	2.43
DD206-20-06O12	3/8	M20*1.5P	24.0	0.94	25.9	1.02			53.1	2.09
DD206-22-04O15	1/4	M22*1.5P	27.0	1.06	26.8	1.06			46.4	1.83
DD206-22-05O15	5/16	M22*1.5P	27.0	1.06	27.3	1.07			48.3	1.90
DD206-22-06O14	3/8	M22*1.5P	27.0	1.06	27.4	1.08			54.6	2.15
DD206-22-06O15	3/8	M22*1.5P	27.0	1.06	27.4	1.08			54.6	2.15
DD206-22-08O14	1/2	M22*1.5P	27.0	1.06	37.8	1.49	22.0	0.87	68.0	2.68
DD206-22-08O15	1/2	M22*1.5P	27.0	1.06	37.8	1.49	22.0	0.87	68.0	2.68
DD206-24-08O16	1/2	M24*1.5P	30.0	1.18	27.8	1.09			58.0	2.28
DD206-26-10O18	5/8	M26*1.5P	32.0	1.26	36.3	1.43	24.0	0.94	71.6	2.82
DD206-26-12O18	3/4	M26*1.5P	32.0	1.26	37.3	1.47	27.0	1.06	72.7	2.86
DD206-30-10O20	5/8	M30*2.0P	36.0	1.42	30.9	1.22			66.2	2.61
DD206-30-10O22	5/8	M30*2.0P	36.0	1.42	27.8	1.09			63.1	2.48
DD206-30-12O20	3/4	M30*2.0P	36.0	1.42	30.9	1.22			66.3	2.61
DD206-30-12O22	3/4	M30*2.0P	36.0	1.42	27.8	1.09			63.2	2.49
DD206-36-10O25	5/8	M36*2.0P	46.0	1.81	31.9	1.26			67.2	2.65
DD206-36-12O25	3/4	M36*2.0P	46.0	1.81	31.9	1.26			67.3	2.65
DD206-36-16O25	1"	M36*2.0P	46.0	1.81	50.1	1.97			90.9	3.58
DD206-36-16O28	1"	M36*2.0P	46.0	1.81	49.6	1.95	35.0	1.38	90.4	3.56
DD206-42-16O30	1"	M42*2.0P	50.0	1.97	36.8	1.45			77.6	3.06
DD206-42-20O30	1-1/4	M42*2.0P	50.0	1.97	53.2	2.09	46.0	1.81	96.9	3.81
DD206-45-20O35	1-1/4	M45*2.0P	50.0	1.97	53.2	2.09	46.0	1.81	96.9	3.81
DD206-52-20O38	1-1/4	M52*2.0P	60.0	2.36	38.6	1.52			82.3	3.24
DD206-52-24O38	1-1/2	M52*2.0P	60.0	2.36	54.7	2.15	50.0	1.97	89.1	3.51
DD206-52-24O42	1-1/2	M52*2.0P	60.0	2.36	54.7	2.15	50.0	1.97	89.1	3.51

DD246 SERIES(Female Metric Swivel - DIN 20078 45° Elbow O-Ring)

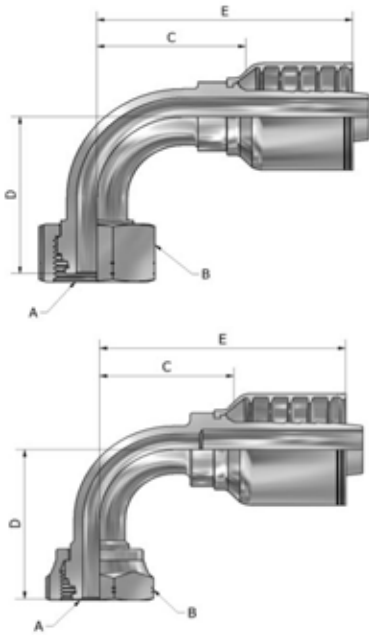
USA



PART NUMBER	Products Description									
	Hose In-Dia	Thread METRIC A	Nut Hex		Tail-Growth		Drop		Overall length	
			MM	Inch	MM	Inch	MM	Inch	MM	Inch
			B		C		D		E	
DD246-12-04O06	1/4	M12*1.5P	15.9	0.62	39.9	1.57	16.5	0.65	59.5	2.34
DD246-14-04O06	1/4	M14*1.5P	17.5	0.69	39.8	1.57	16.0	0.63	59.3	2.33
DD246-14-04O08	1/4	M14*1.5P	17.5	0.69	39.8	1.57	16.0	0.63	59.3	2.33
DD246-16-04O08	1/4	M16*1.5P	19.0	0.75	39.8	1.57	16.0	0.63	59.4	2.34
DD246-16-04O10	1/4	M16*1.5P	19.0	0.75	39.8	1.57	16.0	0.63	59.4	2.34
DD246-16-06O10	3/8	M16*1.5P	19.0	0.75	42.4	1.67	19.0	0.75	69.6	2.74
DD246-18-04O10	1/4	M18*1.5P	22.0	0.87	41.0	1.61	17.0	0.67	60.6	2.39
DD246-18-06O12	3/8	M18*1.5P	22.0	0.87	41.7	1.64	19.0	0.75	68.9	2.71
DD246-20-06O12	3/8	M20*1.5P	24.0	0.94	46.2	1.82	20.0	0.79	73.4	2.89
DD246-22-08O15	1/2	M22*1.5P	27.0	1.06	55.7	2.19	22.0	0.87	85.9	3.38
DD246-24-08O16	1/2	M24*1.5P	30.0	1.18	57.5	2.26	23.5	0.93	85.7	3.37
DD246-26-08O18	1/2	M26*1.5P	32.0	1.26	59.4	2.34	24.0	0.94	89.6	3.53
DD246-26-10O18	5/8	M26*1.5P	32.0	1.26	56.4	2.22	24.2	0.95	91.6	3.61
DD246-26-12O18	3/4	M26*1.5P	32.0	1.26	57.7	2.27	26.0	1.02	93.0	3.66
DD246-30-12O20	3/4	M30*2.0P	36.0	1.42	68.5	2.70	29.0	1.14	103.8	4.09
DD246-30-12O22	3/4	M30*2.0P	36.0	1.42	63.3	2.49	25.5	1.00	98.7	3.89
DD246-36-12O25	3/4	M36*2.0P	46.0	1.81	67.7	2.67	34.0	1.34	103.1	4.06
DD246-36-16O28	1"	M36*2.0P	46.0	1.81	80.4	3.17	36.9	1.45	121.2	4.77
DD246-45-20O35	1-1/4	M45*2.0P	50.0	1.97	111.9	4.41	48.0	1.89	155.5	6.12
DD246-52-20O38	1-1/4	M52*2.0P	60.0	2.36	109.3	4.30	50.0	1.97	153.0	6.02

DD296 SERIES(Female Metric Swivel - DIN 20078 90° Elbow O-Ring)

USA



PART NUMBER	Products Description									
	Hose In-Dia	Thread METRIC	Nut Hex		Tail-Growth		Drop		Overall length	
			MM	Inch	MM	Inch	MM	Inch	MM	Inch
			B		C		D		E	
DD296-12-04O06	1/4	M12*1.5P	15.9	0.62	28.7	1.13	29.0	1.14	48.3	1.90
DD296-14-04O06	1/4	M14*1.5P	17.5	0.69	28.7	1.13	33.5	1.32	49.0	1.93
DD296-14-04O08	1/4	M14*1.5P	17.5	0.69	28.7	1.13	33.5	1.32	48.3	1.90
DD296-16-04O08	1/4	M16*1.5P	19.0	0.75	32.7	1.29	32.0	1.26	53.0	2.09
DD296-16-04O10	1/4	M16*1.5P	19.0	0.75	32.7	1.29	32.0	1.26	52.3	2.06
DD296-16-06O10	3/8	M16*1.5P	19.0	0.75	30.3	1.19	34.0	1.34	57.5	2.26
DD296-18-04O10	1/4	M18*1.5P	22.0	0.87	25.7	1.01	34.0	1.34	45.3	1.78
DD296-18-06O10	3/8	M18*1.5P	22.0	0.87	30.3	1.19	36.0	1.42	57.5	2.26
DD296-18-06O12	3/8	M18*1.5P	22.0	0.87	30.3	1.19	36.0	1.42	57.5	2.26
DD296-20-06O12	3/8	M20*1.5P	24.0	0.94	34.3	1.35	37.0	1.46	61.5	2.42
DD296-22-06O14	3/8	M22*1.5P	27.0	1.06	37.3	1.47	37.0	1.46	64.5	2.54
DD296-22-06O15	3/8	M22*1.5P	27.0	1.06	37.3	1.47	37.0	1.46	64.5	2.54
DD296-22-08O15	1/2	M22*1.5P	27.0	1.06	44.8	1.77	41.7	1.64	75.0	2.95
DD296-24-08O16	1/2	M24*1.5P	30.0	1.18	45.7	1.80	45.0	1.77	74.0	2.91
DD296-26-10O18	5/8	M26*1.5P	32.0	1.26	49.3	1.94	48.0	1.89	84.6	3.33
DD296-26-12O18	3/4	M26*1.5P	32.0	1.26	46.3	1.82	52.8	2.08	81.7	3.22
DD296-30-10O20	5/8	M30*2.0P	36.0	1.42	51.3	2.02	52.0	2.05	86.6	3.41
DD296-30-10O22	5/8	M30*2.0P	36.0	1.42	55.3	2.18	48.0	1.89	90.6	3.57
DD296-30-12O20	3/4	M30*2.0P	36.0	1.42	53.3	2.10	56.5	2.22	88.7	3.49
DD296-30-12O22	3/4	M30*2.0P	36.0	1.42	53.3	2.10	58.0	2.28	88.7	3.49
DD296-36-10O25	5/8	M36*2.0P	46.0	1.81	55.3	2.18	59.0	2.32	90.6	3.57
DD296-36-12O25	3/4	M36*2.0P	46.0	1.81	51.3	2.02	65.0	2.56	86.7	3.41
DD296-42-16O30	1"	M42*2.0P	50.0	1.97	65.8	2.59	75.0	2.95	106.6	4.20
DD296-45-20O35	1-1/4	M45*2.0P	50.0	1.97	86.7	3.41	85.0	3.35	130.4	5.13